

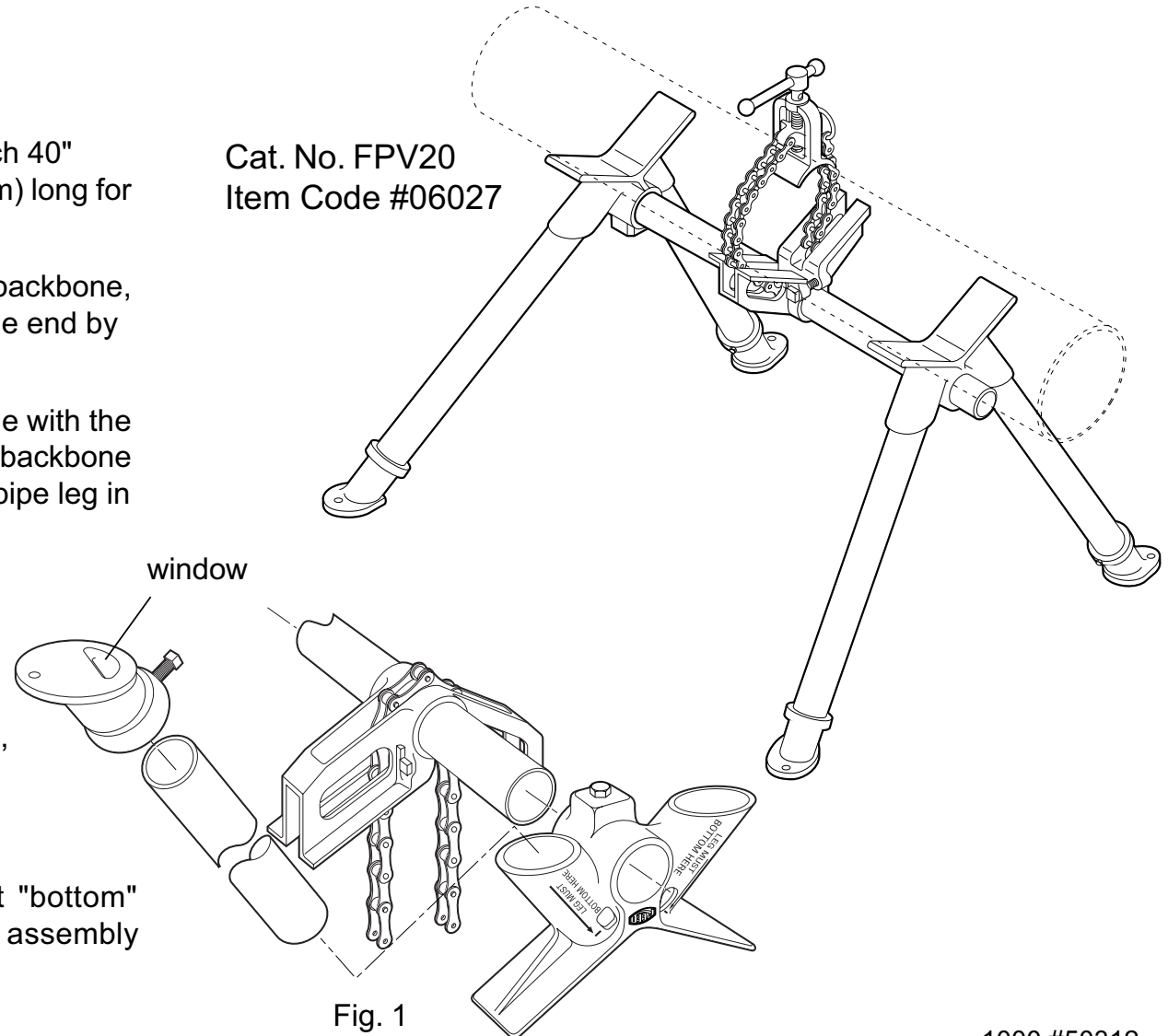
# Instructions for Assembling Field Pipe Vise

Capacity 2" - 20" (50 - 500 mm)

## Instructions For Assembling the FPV20

1. Cut four pieces of 1 1/2" (48 mm) diameter pipe, each 40" (1015 mm) long for the legs and one piece 6' (1.83 m) long for the backbone.
2. Slip the Chain Vise base (center section) on to the backbone, clamping it on the pipe about 15" (380 mm) from one end by tightening the two bolts.
3. Next, slip a leg frame over each end of the backbone with the "window" in each leg socket facing outward. Lay the backbone on the floor upside down, resting the V's and put a pipe leg in each socket.
4. Make sure that each pipe leg bottoms in the socket (see window). Tighten the bolt in each leg frame, to clamp the entire assembly together. Doing this up side down with the "V"s resting on the floor, the two leg frames and the pipe clamp automatically line up, Fig. 1.

Cat. No. FPV20  
Item Code #06027



NOTE: Both legs must "bottom" in their sockets or the assembly will not be solid.



# Instructions for Assembling Field Pipe Vise

Capacity 2" - 20" (50 - 500 mm)

5. Turn the pipe stand to an upright position and put the feet on the lower end of the pipe legs, aligning them so they sit flat on the floor. Clamp them in this position with the set screws; the pipe stand is now ready for use.
6. For use on extremely soft or muddy ground, the feet may be placed on 5' (1.53 m) piece of plank, front and back and nailed in position through the nail holes provided in the sockets.  
NOTE: Not recommended for greater torque, just stability for soft ground.

## Transporting the FPV20

When the pipe stand has to be knocked down and transported, merely loosen the bolts and clamp the legs in the frames. Remove the four legs and place them in the "V"s, securing them to the rest of the stand with the chain pipe clamp. The entire assembly can now be carried as one compact bundle. Fig. 2.

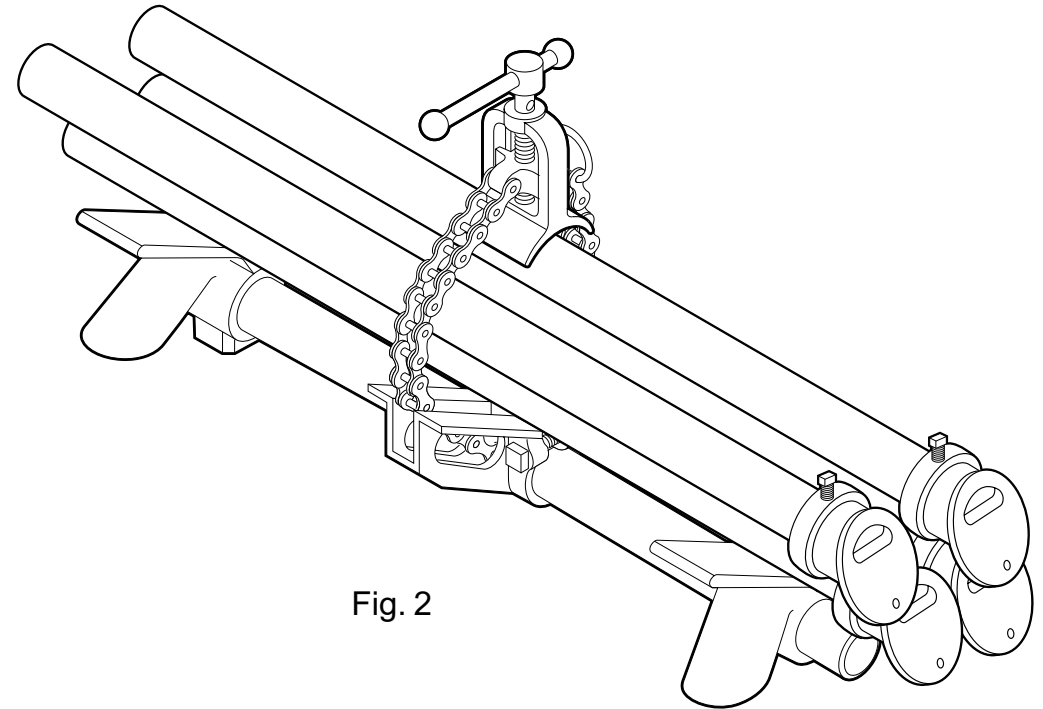


Fig. 2

Reed Manufacturing Co.  
1425 West 8th St.  
Erie, PA 16502 U.S.A.



Phone: 800-666-3691 or 814-452-3691  
Fax: 800-456-1697 or 814-455-1697

1000 #50312