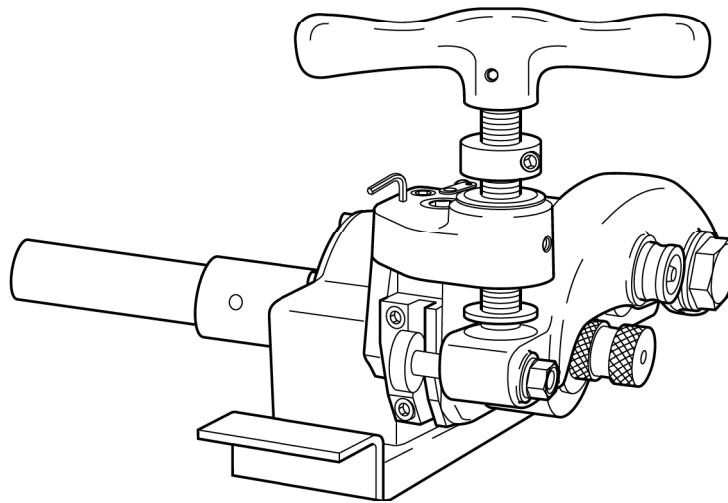


ROLL GROOVER SERIES Portable Groover M

RG-R0, R1, R2, E1, E2

OPERATION MANUAL



Be sure to read this
Operation Manual before
using the machine

- Note -

- Be sure to hand this instruction manual to the user.
- Carefully read through this operation manual before using the machine, to ensure safe and effective use.
- Be sure to keep this operation manual where the operator can refer to it whenever necessary.

Date of purchase:

Year

Month

Sales agent:

- Be sure to observe the [Safety Precautions] described below to prevent accidents such as fire, electric shock and injury.
- Read these [Safety Precautions] carefully before using the machine, and operate the machine according to the instructions.
- Do not use the machine in any way other than as described in this instruction manual.

CONTENTS

1. Safety Precautions	P.1
2. Instructions for using the Portable Groover M	P.3
3. Names of Parts, Standard specifications, Accessories	P.4

4. Setting up	
① Setting up	P.5
② Attaching to the pipe threading machine	P.7
③ Pipe setting	P.7

5. Operating Instructions	
① Groove depth adjustment	P.10
② Grooving	P.10
③ Checking the dimensions	P.12

6. Before requesting repairs or servicing	P.13
7. Daily inspection, maintenance	P.14
8. Requesting repairs	P.14
9. Parts List	P.15

Definitions of **▲ WARNING** and **▲ CAUTION**

In this operation manual, warnings are divided into **▲ WARNING** and **▲ CAUTION**.

▲ WARNING : indicates actions which could possibly result in death or severe injury to the user if the machine is used incorrectly death or heavy injuries of users, in handling the machine incorrectly.

▲ CAUTION : indicates actions which could possibly result in injury to the user, or physical damage, if the machine is used incorrectly.

Even items described as [▲ CAUTION], could have serious results under certain conditions.

Be sure to observe these warnings carefully as they greatly affect safety.

- If this operation manual is lost or damaged, promptly order a replacement from our agent or sales agent.
- Parts and specifications are subject to change without prior notice, due to improvements in quality, performance or safety standards. In such cases, the contents, photographs, illustrations, etc. of this manual may be different to the product you have purchased.

1.Safety Precautions

WARNING

- 1) Ensure you use the correct voltage.
 - Be sure to use the voltage indicated on the name plate of the main unit or in the instruction manual.
If the voltage is different from the voltage indicated overheating, smoke or fire may occur.
- 2) Check the switch is OFF, before inserting the plug into the power supply socket.
 - If the plug is inserted into the power supply when the switch is ON, the machine may start operation abruptly, and is liable to cause accidents. Be sure to check the switch is OFF.
- 3) Be sure to avoid electric shock.
 - Do not touch the plug with wet hands.
 - Do not use the machine in rain or in places where water can easily get into the machine.
 - Be sure to ground the machine to avoid electric shock.
- 4) Take notice of conditions at the work site.
 - Do not use the machine in rain, humid or damp places, or places where water can easily get into the machine.
Humidity will lower insulation of the motor and cause electric shock.
 - Do not use close to flammable fluids or gases, such as gasoline and thinner. Fire or explosion might occur.
- 5) Use designated accessories and attachments.
 - Do not use accessories and attachments other than those designated in the operation manual or our catalogs. Accidents or injuries might result.
- 6) In the following cases, turn the main unit OFF and pull the plug out of the power supply socket.
 - When the machine is not in use or parts are changed, repaired, cleaned or inspected.
 - When accessories are changed.
 - When hazards are expected (including electric power failure)
When the plug is inserted, the main unit may start operation unexpectedly, causing accidents.
- 7) If any abnormality is noticed, stop operation immediately.
 - When operation of the machine is not smooth or abnormalities such as unusual smells, vibration or noise are detected, immediately stop operation of the machine.
 - Check symptoms against the items in [Troubleshooting Methods] in the instruction manual, observe corresponding instructions. If the machine is being used continuously, overheating, smoke or fire might occur, causing accidents or injury.
 - If overheating or smoke from the main unit occurs, do not attempt an overhaul but ask for an inspection and repair.
- 8) Keep the work site clean.
 - Ensure you keep the work table and the work site in good order, and well lit.
A cluttered site and work table are liable to cause accidents.
- 9) Do not let authorised personnel come near the machine.
 - Do not let any people other than authorised personnel touch the main unit or the power supply cord or operate the machine.
 - Do not let people other than authorised personnel enter the work site, especially children.
Injuries might occur.
- 10) Do not use the machine with force.
 - Use the machine only for its designated purpose. Operate according to the capacity of the main unit, to assure safe and effective operation. Forced operation may not only cause damage to the product but also accidents.
 - Do not use the machine in the any way that could cause the motor to lock, or cause smoke or fire.
- 11) Wear neat clothing.
 - Do not wear neck ties, clothes with open sleeves, loose clothing, accessories such as necklace, etc., which could get caught in the rotating parts.
 - When working outdoors, it is recommended to wear rubber gloves and shoes with stoppers. Slippery gloves and shoes are liable to cause injuries.
 - Cover long hair with caps or hair nets, to prevent them getting caught in rotating part.
 - Wear safety caps, safety shoes, etc. according to the working environment.

1.Safety Precautions

WARNING

12) Do not work in unnatural posture.

- Keep a firm footing and balance to avoid falling over and injuring yourself.

13) Remove tools such as wrenches.

- Before turning ON the switch, check that tools used for inspection and adjustment have been removed. If you use the machine when tools are left inside it, accidents and injuries may occur.

14) Operate the unit with great care.

- Always work with great attention to handling methods, working methods and surrounding conditions. Carelessness may result in accidents and injuries.
- Do not operate the machine when concentration is lowered such as when tired, after drinking alcohol, when sick, affected by medicines, etc.

15) Do not handle the power supply cord carelessly.

- Do not carry the product by the cord, or pull the plug out of the socket with the cord.
- Do not place the cord near heated objects, fats & oils, cutters and objects with sharp edges.
- Take care not to tread on the cord, pull the cord or apply unnecessary force resulting in damage to the cord.

Electric shock or short-circuit may occur, causing fire.

16) Perform careful maintenance daily.

- When changing accessories and parts, follow the instruction manual.
- Periodically inspect the power supply cord and plug. If damaged, ask to your sales agent or our sales branch for repairs.
- If an extension cord is used, inspect the cord periodically, and if damaged, replace it. If extension cords are used outdoors, use extension cords designed for outdoor use to prevent electric shock, short-circuit or fire.
- Keep gripping parts dry and clean and free of oil and grease. Slipping may cause injury.

17) Check for damaged parts.

- Before using the machine, carefully check for damage to the protective cover and other parts, and check both normal operation and specified functions.
- Check for any abnormalities such as in adjustment of movable parts, tightening, damage to parts, and all parts affecting operation.
- Do not use machines if the stop and start switches do not work.
- In replacing or repairing a broken protective cover and other parts, follow the instruction manual. If no instructions are specified in the instruction manual, ask your sales agent or our sales branch for repairs.

18) Store carefully when the machine is not in use.

- Store in a dry place away from children and locked with a key.

19) For overhaul and repair of the machine, ask an appointed REX agent.

- Our products comply with corresponding safety standards. Do not remodel.
- Be sure to ask your sales agent or our sales branch for any repairs. If repairs are carried out by unskilled or unqualified personnel, the performance of the unit will be adversely affected and may result in accident or injury.

2. Instruction for using the Portable Groover M

WARNING

- 1) Use rollers that match the pipe size. (Refer to Fig.1, 5)
The rollers supplied as standard can only be used for 2"~ 6" steel pipe (Sch 10) and 2"~ 3" steel pipe (Sch 40). They cannot be used for pipes of other sizes.
Since the appropriate sizes are marked on the rollers, replace the rollers according to the pipe size.
- 2) Never touch rotating parts or workpieces.
To prevent injury to hands and fingers, do not touch rotating rollers and pipes with your hands.
- 3) Attach the mount base that matches the pipe threading machine to be used.
If a different type of mount base is attached, it will not be possible to set it on the pipe threading machine correctly.
- 4) The pipe must be set correctly.
To set the pipe, allow it to engage the pipe threading machine in the direction it is rotating and shift it by 0.5 degree in the correct direction.
If the pipe is shifted in the reverse direction, it will slip, making grooving impossible.
- 5) Operate the handle correctly.
When grooving, turn the handle 1/4 to 1/2 of the speed that the pipe rotates.
If the handle is turned too quickly, the machine may be damaged.
- 6) Be sure to install the pipe threading machine and pipe stand on a stable flat place.
Avoid using the pipe threading machine and pipe stand in an unstable position or the machine and pipe may fall over.
- 7) After completing the groove, be sure to check on the size of each part with calipers, etc.
(Refer to P. Roll groove processing size table)

3.Names of parts, Standard specifications, Accessories

Names of part

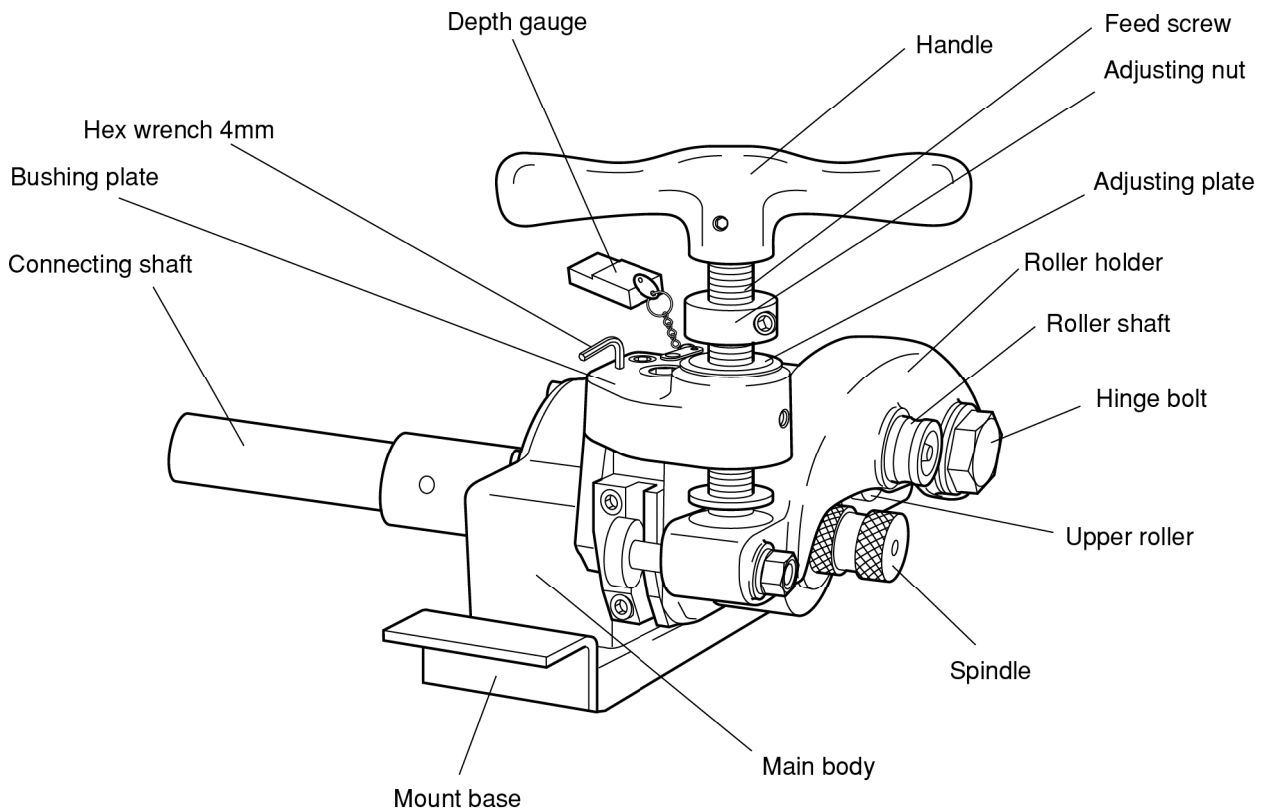


Fig.1

Specifications

Model Name	RG-R0	RG-R1	RG-R2	RG-E1	RG-E2
For use with		N50A,R50A,P50A	N80A	#300	300 Compact
Working Capacity	1" ~ 6" Schedule 10 1" ~ 3" Schedule 40 Standard Model For 2" ~ 6" Schedule 10 2" ~ 3" Schedule 40 roller set.				
Net Weight(kg)	14.0				
Standard accessories	Mount base (Except RG-R0) : 1		Hex wrench (3, 4, 5, 6mm) : 1		
	Connecting shaft : 1		Grease : 1		
	Socket head cap screw (M8×25) : 4		Tool box : 1		
	Spring washer (8mm) : 4				
Optional Accessories	1" roller set (Schedule 10 & 40) 1-1/4" ~ 1-1/2" roller set (Schedule 10 & 40) Copper roller set (2-1/2" ~ 6") Mount Base R1 N50A, R50A, P50A R2 N80A R3 N100A E1 #300 E2 300 Compact				

4. Setting Up

1. Setting Up

1) To Attach the Mount Base:

Fix the mount base to the main body securely with the bolts supplied (M8 × 25) and the four spring washers (8 mm).

To attach the mount base, set it in the same direction as the direction of the pipe threading machine. (Refer to Figs. 2 and 3)

▲ CAUTION

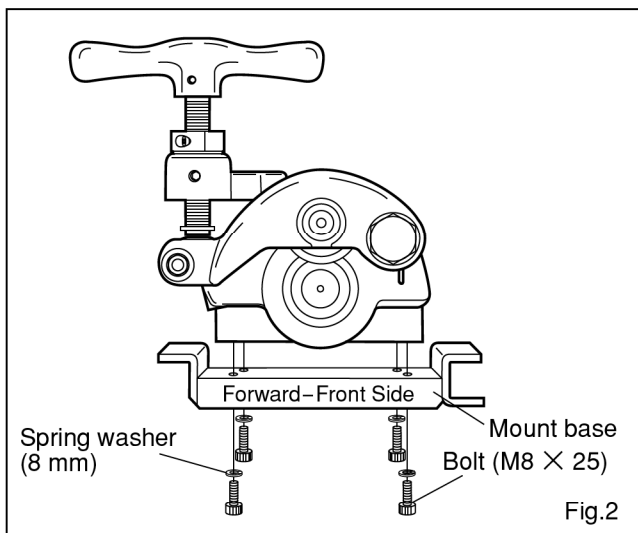
- Always set the mount base that matches the pipe threading machine used. The mount base cannot be attached to the pipe threading machine correctly if a mount base for a different type is used.

Which pipe threading machine it can be attached to is indicated on the rear of the mount base.

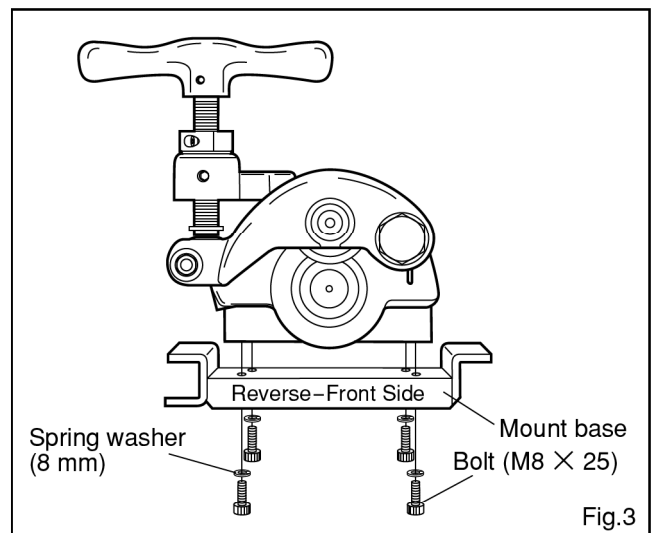
- If the mount base is attached in the opposite direction to the rotating direction used, an unnecessary load will be applied to the pipe threading machine chuck, thereby resulting in damage.

Be sure to attach the mount base so that it matches the rotation direction used.

Attaching the mount base for forward pipe threading rotation



Attaching the mount base for reverse pipe threading rotation



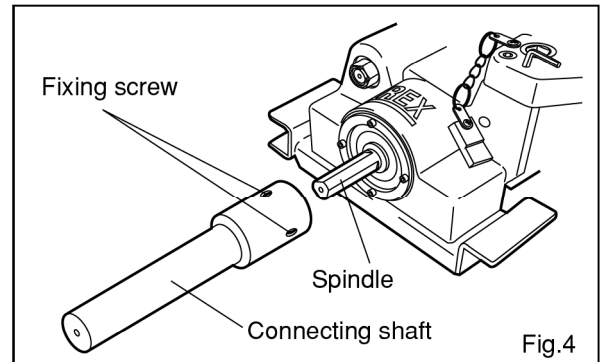
4. Setting Up

2) To Attach the Connecting Shaft:

- Insert the connecting shaft fully into the spindle then fix the shaft on the spindle by tightening the two screws against the flat surface of the spindle. (See Fig. 4)

▲ CAUTION

- Be sure to tighten the screws against the flat part of the spindle as illustrated. If the cylindrical part is tightened, the screws will come loose during grooving, and the spindle will not turn properly.

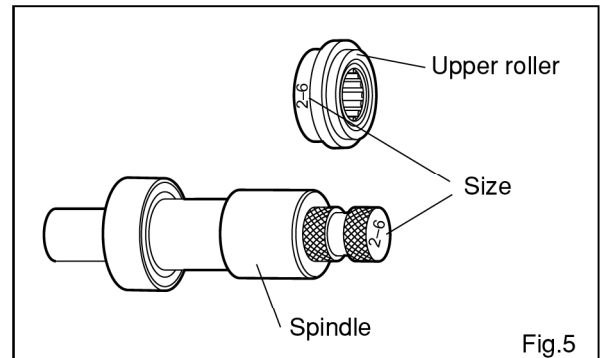


3) To Replace the Roller Set:

- The standard roller specifications are for steel pipe 2" to 6".
- Where other sizes of steel pipes are to be machined, replace the roller set (upper roller and spindle). The appropriate sizes are stamped on the roller. (Fig. 5)

▲ CAUTION

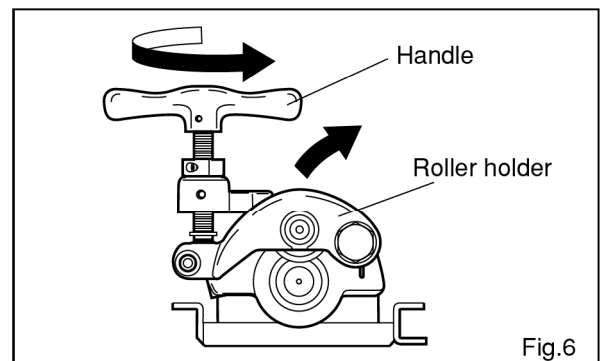
- Be sure to replace the roller with the upper roller and spindle as a set. If the wrong combination is used, correct grooving will not be possible.



[Replacement of Roller Set]

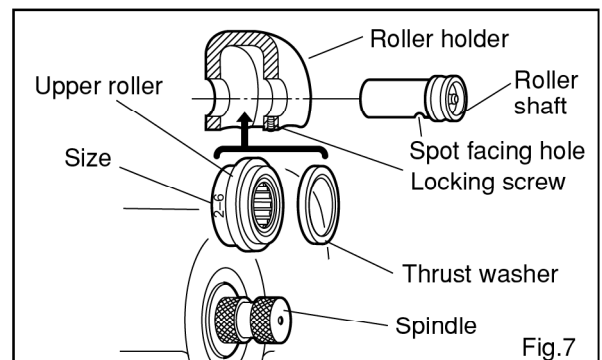
• Upper roller

- 1) Turn the handle antilockwise to elevate the roller holder to the full. (Fig. 6)
- 2) Loosen the roller shaft locking screw and pull out the roller shaft: the upper roller and thrust washer will be detached.
- 3) To attach the upper roller, set it in the direction on which the roller size marking is located on the rear, insert the thrust washer on the opposite side, then insert the roller shaft and finally lock the shaft spot facing hole firmly with the locking screw. (Fig. 7)



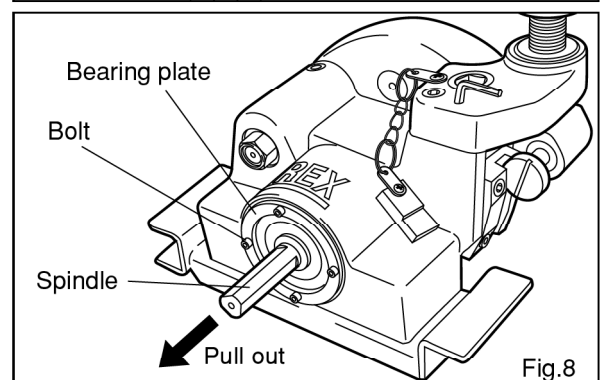
• Spindle:

- 1) Loosen the 4 bolts in the bearing plate to remove the bearing plate. (Fig. 8)
- 2) The spindle can be detached from the main body by pulling it.
- 3) To attach the bearing, insert it, attach the bearing plate, then tighten it firmly with the 4 bolts.



▲ CAUTION

- Clean the upper roller, thrust washer, spindle and roller shaft thoroughly with a cloth before setting.
- Also, replenish the bearing and both faces of the upper roller with grease.



4. Setting Up

2. Attaching to the Pipe Threading Machine

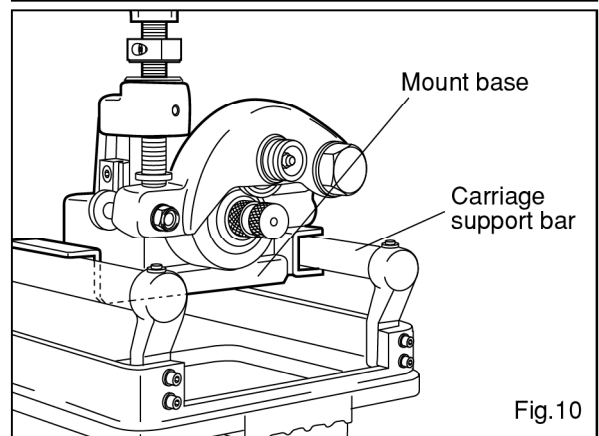
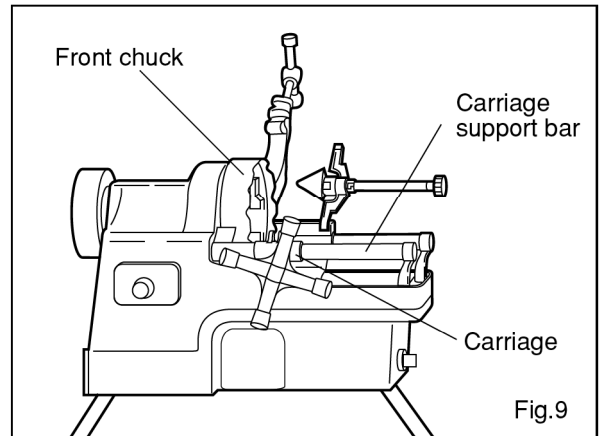
▲ WARNING

- Be sure to install the pipe threading machine and pipe stand on a flat stable surface.
- Be sure to avoid using the machine and pipe stand in an unstable position since they may fall over.

- 1) Fully open the front chuck on the pipe threading machine.
- 2) Pull the carriage completely towards the front chuck. (See Fig. 9)
- 3) Place the mount base on the carriage support bar, and tightly grasp the connecting shaft with the front chuck. (See Fig. 10)

▲ CAUTION

- Use the mount base that matches the pipe threading machine.
- Attach the mount base only in the direction in which the pipe threading machine rotates.
- To attach it correctly, refer to "To Attach Mount Base" on Page 5.



3. Pipe Setting

▲ CAUTION

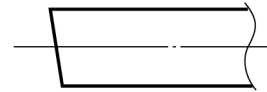
- The pipe to be machined should be cut at right angles without any step difference, and the pipe used should be free of deformation. If the cut surface is tilted and has a step difference or the pipe is deformed, it cannot be machined to the correct groove size. (See Fig. 11)
- Table 1 shows the minimum length of a machinable pipe and the maximum length of a pipe that can be machined without using the pipe stand.

▲ WARNING

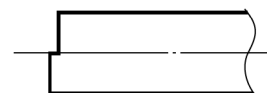
- Where a long pipe is machined according to Table 1, be sure to use the pipe stand. The machine and pipe may fall over, thereby causing an accident.

The following pipe cannot be machined to the correct size:

- The cut surface is slanted.



- There is a step difference on the cut surface.



- The pipe is deformed.

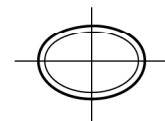


Fig.11

4. Setting Up

Table 1 Machinable Pipe Length

Pipe Size	Machinable Pipe Length (MIN)	Maximum Machinable Length of Pipe without Using Pipe Stand
1" ~ 2"	70mm	800mm
2 1/2" ~ 2"	70mm	700mm
5" ~ 6"	70mm	600mm

1) Inserting a pipe

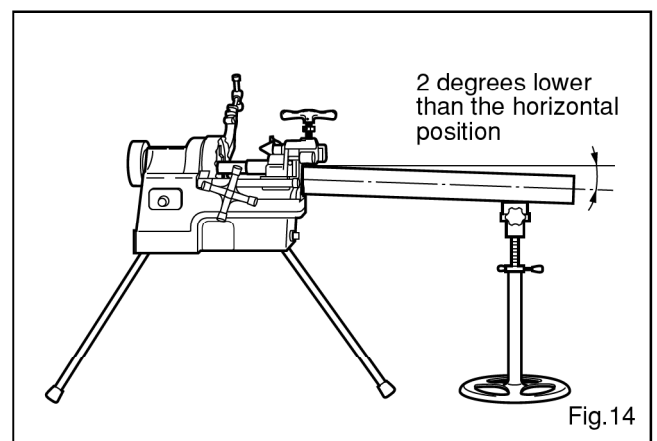
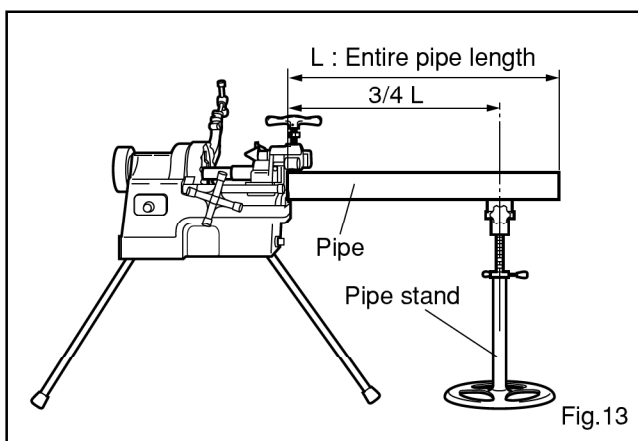
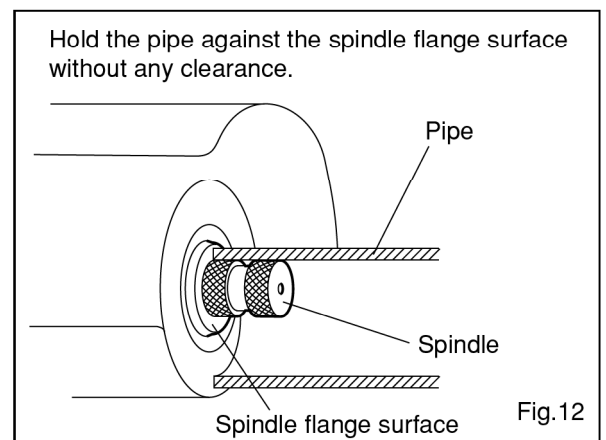
· Insert the pipe to be machined until it comes into contact with the spindle flange (collar) surface. (See Fig. 12)

For a pipe exceeding the length indicated in Table 1 above, support one side with the pipe stand.

Set up the pipe stand in a position corresponding to 3/4 of the entire pipe length. (See Fig. 13)

2) Pipe height adjustment

· Since the pipe threading machine is approx. 2 degrees off the horizontal position, adjust the pipe stand height so that the pipe is 2 degrees lower. (See Fig. 14)



4. Setting Up

3) Pipe shifting adjustment

- Set the pipe while shifting it by 0.5 degrees to the spindle.

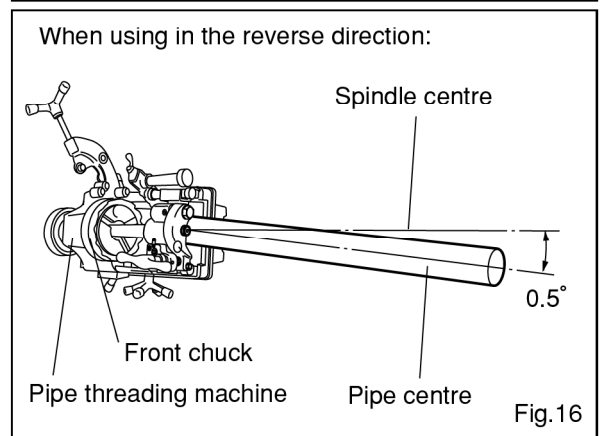
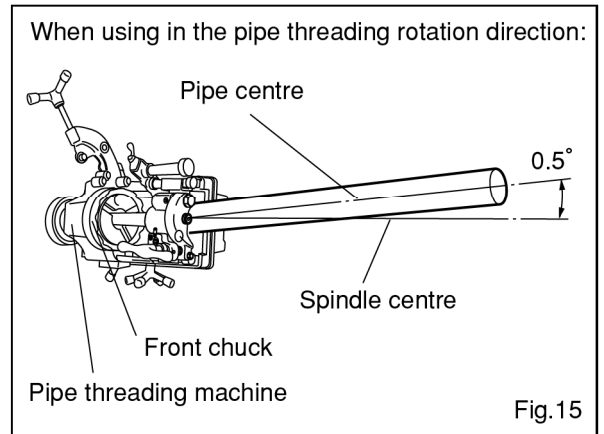
When the mount base is used in either the pipe threading rotation direction or the reverse rotation direction, the direction of the shift is reversed as shown in the diagrams opposite.

Be sure to shift the pipe according to the pipe threading machine rotating direction.

(Figs. 15 and 16)

▲ WARNING

- If the pipe is set straight on the spindle or set in the opposite direction, it will come off during grooving and fall down, which could be dangerous.
Do not fail to check the rotation direction when setting the pipe.



5. Operating Instructions

1. Groove Depth Adjustment

- 1) Turn the handle clockwise to lower the roller holder, and allow the upper roller to come into slight contact with the pipe. Further, give the handle a 1/2 turn to the handle to bring the pipe into close contact with the spindle. (Fig. 17)
- 2) Place a depth gauge on the adjusting plate, nip the portion with the thickness matching the pipe size with an adjusting nut, tighten the bolt firmly, then lock the adjusting nut. (Fig. 18)
- 3) Pull the depth gauge away from the adjusting

▲ CAUTION

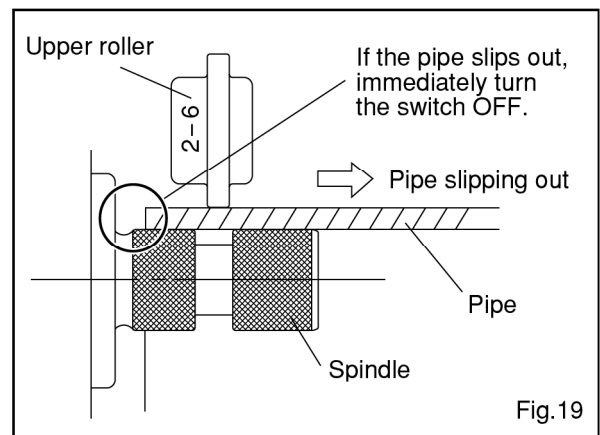
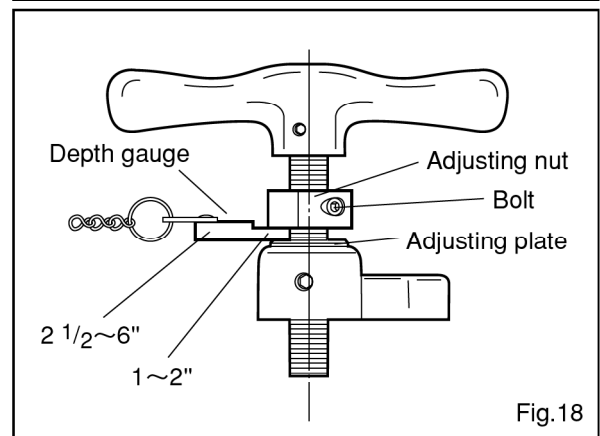
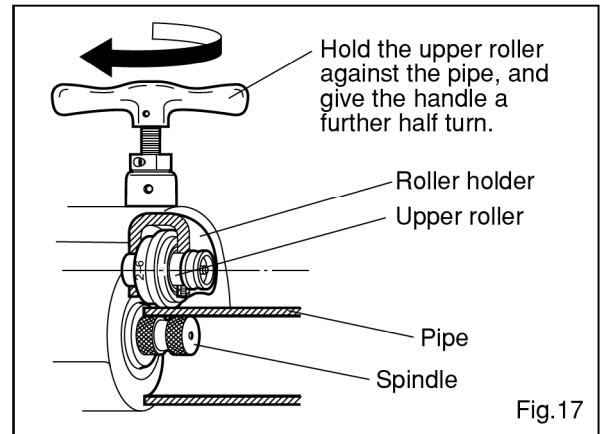
- The depth gauge is used as a guide for groove depth adjustment. After trial threading, fine-adjust the adjusting nut to the appropriate groove depth.
- By turning the adjusting nut clockwise, the groove becomes shallower. By turning it anticlockwise, the groove becomes deeper. Giving a single turn to the adjusting nut changes the diameter of the groove by approx. 0.7 mm.

2. Grooving

- 1) Turn the pipe threading machine switch "ON" to rotate the pipe. Allow the pipe several turns to ensure that the pipe does not slip off the spindle flange surface.

▲ WARNING

- If the pipe should slip off the spindle flange surface, turn the pipe threading machine "OFF" immediately to stop pipe rotation. If rotation continues with the pipe slipping out, the pipe will become detached from the spindle and fall down, which may cause an accident. (Fig. 19)
- Loosen the handle and re-set the pipe.
If the pipe slips out, shift the pipe a little more.



5. Operating Instructions

- 2) After ensuring that the pipe will not slip out, Turn the handle according to the appropriate speed indicated in Table 2 below. (Fig. 20)

▲ CAUTION

• If the handle is turned unnecessarily quickly, damage will be caused to the bearing and machine. Be sure to turn it at the correct speed.

- 3) By turning the handle, the groove is formed and the adjusting nut approaches the adjusting plate.
If the handle does not turn smoothly as the adjusting nut comes into close contact with the adjusting plate, stop rotating the handle. (Fig. 21)
- 4) If, after stopping turning the handle, the pipe continues one revolution, turn the threading machine OFF and stop the pipe.
- 5) Turn the handle anticlockwise to raise the roller holder to the full and detach the pipe from the spindle.

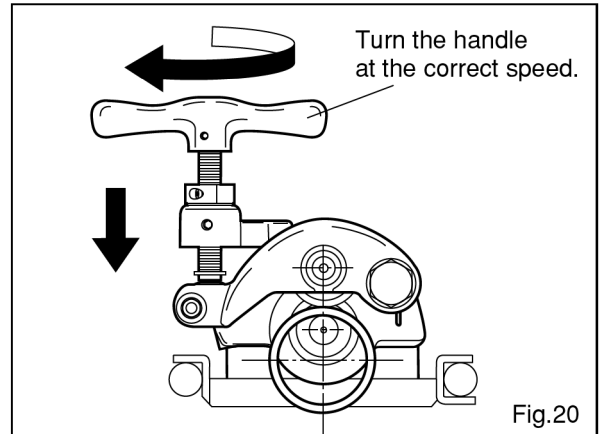


Fig.20

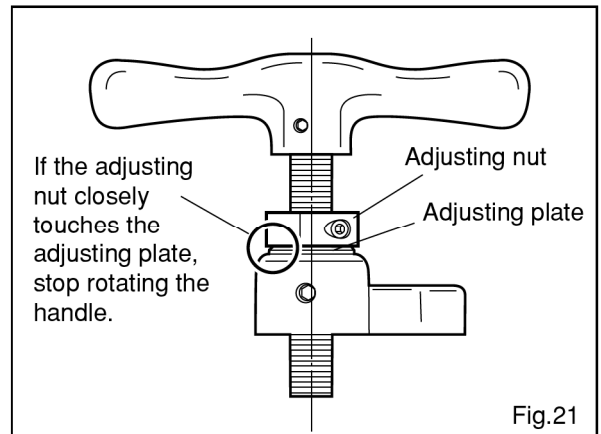


Fig.21

Table 2 Handle Rotation Speed
(Degree of rotation of the handle for each revolution of the pipe)

Schedule 10 Steel pipe Copper pipe	1/2 rotation
Schedule 40 Steel pipe	1/4 rotation

5. Operating Instructions

3. Checking the dimensions

- Be sure to check the depth of the groove and the dimensions of each part of the machined pipe according to Table 3 below.

▲ CAUTION

- The specified size for each part may slightly differ, depending on the joints.
- In such a case, make sure you check the machining size according to the specified size table for the joints used.

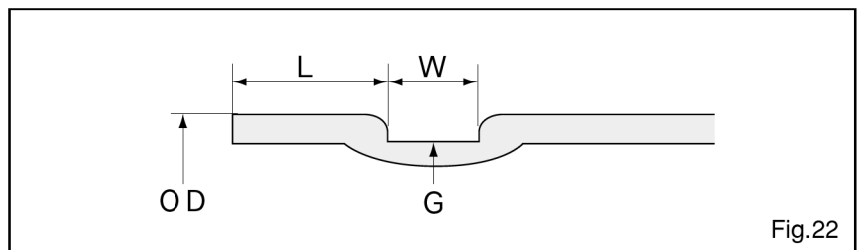


Fig.22

Table 3 Roll Groove Standard Machining Size

Nominal		Pipe outer diameter (O.D)	Seal surface width (L)		Groove width (W)		Groove diameter (G)	
A	B							
25	1	34.0	16.0	+0.4 -0.9	7.1	±0.8	30.4	0 -1
32	1 1/4	42.7	16.0	+0.4 -0.9	7.1	±0.8	39.1	0 -1
40	1 1/2	48.6	16.0	+0.4 -0.9	7.1	±0.8	45.0	0 -1
50	2	60.5	16.0	+0.4 -0.9	8.7	±0.8	56.9	0 -1
65	2 1/2	76.3	16.0	+0.4 -0.9	8.7	±0.8	72.2	0 -1
80	3	89.1	16.0	+0.4 -0.9	8.7	±0.8	84.9	0 -1
100	4	114.3	16.0	+0.4 -0.9	8.7	±0.8	110.1	0 -1
125	5	139.8	16.0	+0.4 -0.9	8.7	±0.8	135.5	0 -1
150	6	165.2	16.0	+0.4 -0.9	8.7	±0.8	160.8	0 -1

6. Before requesting repairs or servicing

If any abnormalities occur with the unit, examine the following and inform your sales agent or our sales division.

▲ WARNING

If any problems are not dealt with below, do not attempt to overhaul or repair the unit by yourself, but call our sales agent or sales division.

If repairs are performed by untrained or unskilled personnel, optimum performance cannot be attained, and accidents and injuries may occur.

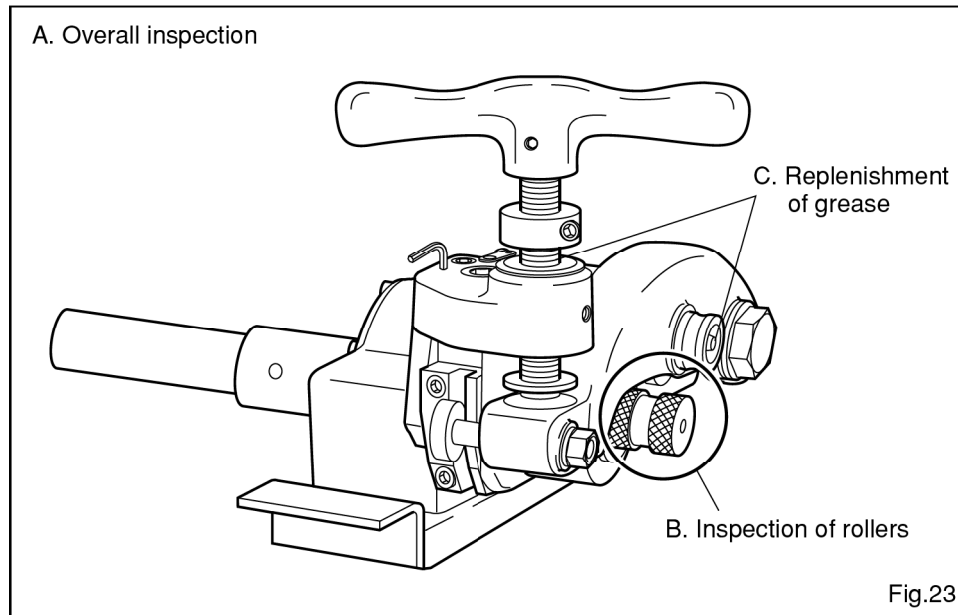
■ Causes and corrective measures

Trouble	Possible Causes	Corrective measures
<ul style="list-style-type: none"> • Groove width is too narrow or too wide. 	<ul style="list-style-type: none"> • The roller set differs from the pipe size. 	<ul style="list-style-type: none"> • Replace the roller set with one matching with the pipe size.
<ul style="list-style-type: none"> • The groove zigzags. • The groove is not parallel with the surface of the pipe end. 	<ul style="list-style-type: none"> • The pipe has been cut at an angle. 	<ul style="list-style-type: none"> • Cut the pipe at right angles.
<ul style="list-style-type: none"> • Groove diameter is different around the whole circumference of the pipe. 	<ul style="list-style-type: none"> • The pipe is elliptical. • Grooving speed is too fast. 	<ul style="list-style-type: none"> • Use a circular pipe. • Grooving at a slightly lower speed is required.
<ul style="list-style-type: none"> • The pipe end flare (bell mouth) is too large. 	<ul style="list-style-type: none"> • The roller set differs from the pipe size. • The pipe shift angle is too large. • The pipe support is too high. • The grooving speed is too high. 	<ul style="list-style-type: none"> • Replace the roller set with one matching the pipe size. • Adjust the pipe shift angle to "0.5 degrees". • Adjust the pipe support height so that the pipe is 2 degrees lower than the horizontal position. • Grooving at a slightly lower speed is required.
<ul style="list-style-type: none"> • The pipe slips out of the spindle during grooving. 	<ul style="list-style-type: none"> • The pipe shift direction is opposite to the pipe threading machine rotating direction. • The pipe is too straight on the spindle or the angle of the shift is too small. • The pipe stand is too low. 	<ul style="list-style-type: none"> • Shift the pipe in the correct direction according to the pipe threading machine rotating direction. • Make the shift angle a little larger. • Adjust the pipe support height so that the pipe is 2 degrees lower than the horizontal position.
<ul style="list-style-type: none"> • The pipe slips during operation and rotation is not smooth. 	<ul style="list-style-type: none"> • Spindle knurl is clogged or worn out. • The grooving speed is too high. 	<ul style="list-style-type: none"> • Eliminate spindle knurl clogging with a wire brush or the like or replace the spindle. • Grooving at a slightly lower speed is required.

7. Daily inspection, maintenance

▲ WARNING

Before performing inspection and maintenance, pull the power supply plug out of the socket. Sudden operation may cause accidents or injury.



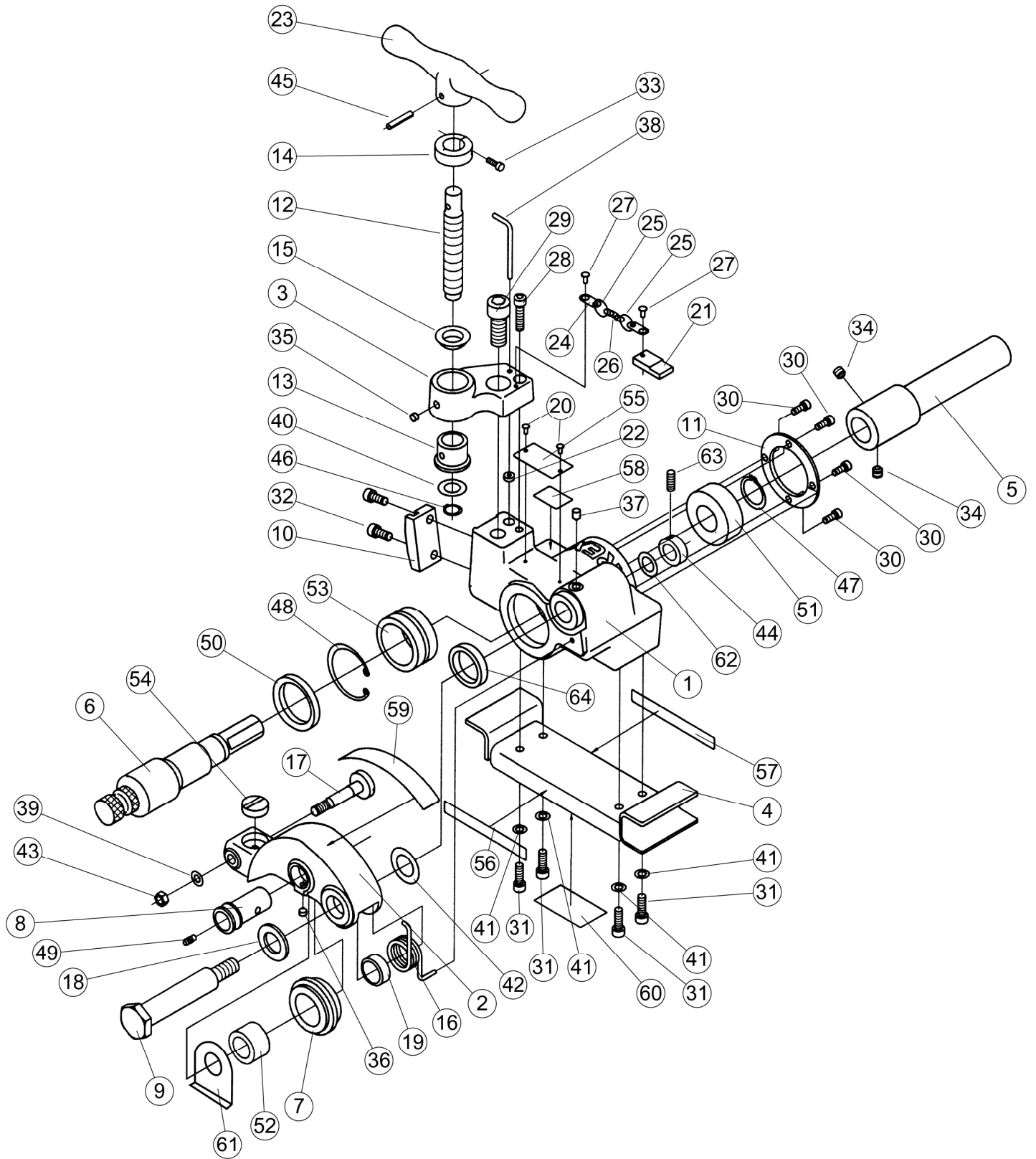
- 1) Inspection of screws (A)
Inspect screws and nuts on each part of the machine, and re-tighten if loose.
- 2) Inspection of rollers (B)
Check that rollers matching the type of pipe are used.
With incorrect rollers, normal grooving is impossible.
Check for chips and cracks in the rollers.
With broken rollers, precise grooving is impossible, and the machine will be damaged.
Replace with new rollers.
- 3) Periodic replenishment of grease (C)
Periodic greasing is required. Unless grease is replaced, the machine may wear out sooner than it should.
 - When replacing the roller set, replenish the upper roller bearing and main body bearing with sufficient grease.
 - Replenish the feed screw and roller shaft grease nipple with grease once a month.
- 4) Cleaning after use (A)
To prolong the life of the machine, be sure to clean the machine and the rollers every time after use.

8. Requesting repairs

This machine is produced with great precision; therefore, should the machine fail to operate normally, do not repair it by yourself, but call us for repairs.

If parts are required or if you have any questions, please contact us, at your earliest convenience.

9. Parts List



9. Parts List

Illust. No.	Parts No.	Parts Name	Qty	
1	RM01	Main body	1	
2	RM02	Roller holder	1	
3	RM03	Bushing plate	1	
4	RMA1	Mount base R1	1	For N50A, R50A, P50A
4	RMA2	Mount base R2	1	For S80A, N80A
4	RMA3	Mount base E1	1	For #300
4	RMA4	Mount base E2	1	For 300 Compact
5	RM05	Connecting shaft	1	
6	RM06	Spindle 2-6	1	
7	RM07	Upper roller 2-6	1	
8	RM08	Roller shaft	1	
9	RM35	Hinge bolt	1	
10	RM10	Guide plate	1	
11	RM11	Bearing plate	1	
12	RM12	Feed screw	1	
13	RM13	Screw bushing	1	
14	RM14	Adjusting nut	1	
15	RM15	Bushing cap	1	
16	RM16	Return spring	1	
17	RM17	Guide bolt	1	
18	RM18	Washer	1	
19	RM19	Collar	1	
20	WN34	Rivet (#4 × 5)	2	
21	RM21	Depth gauge	1	
22	RM22	Rubber bushing	1	
23	RM23	Handle	1	
24	4202	Chain locking washer	2	
25	U576	Ring	2	
26		Chain (3 lines)	1	
27	W4A3	Oval head machine screw (M4 × 10)	2	
28	W084	Socket head cap screw (M8 × 35)	1	
29	W016	Socket head cap screw (M16 × 40)	1	
30	W062	Socket head cap screw (M6 × 16)	4	
31	W083	Socket head cap screw (M8 × 25)	4	
32	W082	Socket head cap screw (M8 × 20)	2	
33	W054	Socket head cap screw (M5 × 15)	1	
34	W702	Hex socket set screw (M10 × 10)	2	
35	W682	Hex socket set screw (M8 × 10)	1	
36	W662	Hex socket set screw (M6 × 8)	1	
37	W78B	Hex socket set screw (M8 × 12)	1	
38	ZB24	Hex wrench (4mm)	1	
39	WG10	Spring washer (10mm)	1	
40	WI87	Flat washer (17 × 28 × 2.5mm)	1	
41	WG08	Spring washer (8mm)	4	
42	RM33	Thrust washer (AS2542)	1	
43	WC10	Hexagon nut (M10)	1	
44	RM36	Lock nut	1	
45	WL68	Roll pin (6 × 35)	1	
46	WW16	Retaining ring (16mm)	1	
47	WW30	Retaining ring (30mm)	1	
48	WWA6	Retaining ring (62mm)	1	
49	J009	Grease nipple	1	
50	RM28	Oil seal (AE2775EO)	1	
51	RM27	Ball bearing (5206ZZ)	1	
52	RM32	Needle bearing (TR253825)	1	
53	RM31	Needle bearing (TR486230)	1	
54	4074	Pin	1	
55	RM30	Nameplate	1	
56	7A76	Base seal A	1	
57	7A77	Base seal B	1	
58	7A79	Handle seal	1	
59	7A78	Warnihg seal	1	
60		Base seal	1	
61	RM34	Thrust washer	1	
62	WI88	Flat washer (17 × 30 × 3mm)	1	
63	W990	Hex socket set screw (SBCP5-8)	1	
64	RM37	Support ring	1	

REX INDUSTRIES CO., LTD.

Overseas sales section & Factory :

1-9-3, Hishiyahigashi, Higashi Osaka 578-0948, Japan.

Tel.: 81 - 729 - 61 - 9820 Fax.: 81 - 729 - 61 - 2913

URL <http://www.rexind.co.jp>

REX INTERNATIONAL U.S.A., INC.

Wheeler Mfg. Div. of REX International U.S.A., Inc.:

3744 Jefferson Rd. P.O.Box 688

Ashtabula, Oh 44005, U.S.A.

Tel.: 800 - 321 - 7950 Fax.: 440 - 992 - 2925

URL <http://www.wheelerrex.com>